

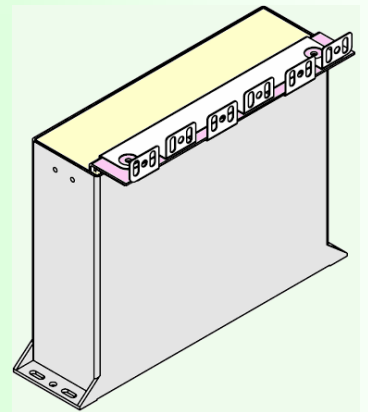


ICAR S.P.A. - INDUSTRIA CONDENSATORI  
 Via Isonzo, 10 - 20052 MONZA (MI) - ITALY  
 Tel. +39 039 83951 - Fax +39 039 833227  
 www.icar.com - icar@icar.com

## LNK- MB1 series capacitor Low inductance dc link capacitor for IGBT modules

### TECHNICAL DATA SHEET

Type	LNK-MB1, DC LINK CAPACITOR
Application	Power electronics circuit in DC application
Terminals	Designed for IGBT coupling and low inductance requirements
Dielectric	Dry metallized polypropylene film
Rated dc voltage	From 700 to 1250Vdc
Tolerance	±10% on the capacitance value
Self inductance	< 30nH
Operating temperature	-25°C to +70°C
Life Expectancy	100.000 h at 70°C of internal hot spot
Materials	Case: aluminium Bus bar: tinned copper + dielectric sheet separation Filler: self extinguishing resin



Model	Cap.	Rated DC Voltage	Peak Voltage	Max rms Current	dv / dt	Self Inductance	Series Resistance	Thermal Resistance with natural cooling	Full current Max Working Frequency	Weight
	C (µF)	U <sub>N</sub> (V)	U <sub>S</sub> (V)	I <sub>max</sub> (A)	(V / µs)	L (nH)	Rs (mΩ)	R <sub>thn</sub> (°C/W)	(KHz)	(kg)
LNK-MB1-2200-70	2200	700	1400	200	10	< 30	0.14	< 2	20	8.0
LNK-MB1-1350-90	1350	900	1800	200	12	< 30	0.16	< 2	20	8.0
LNK-MB1-900-110	900	1100	2200	200	16	< 30	0.18	< 2	20	8.0
LNK-MB1-650-125	650	1250	2500	190	18	< 30	0.20	< 2	20	8.0

In case of doubt regarding maximum working frequency, please contact Icar Tech. Dept. for de-rating according to current spectrum

Routine dielectric test:

DC voltage test between terminals = 1.5 U<sub>N</sub> x 10 s,

AC voltage test between terminals and case = 3000V x 10 s

## LNK- MB1 series capacitor Low inductance dc link capacitor for IGBT modules

### MECHANICAL DIMENSIONS

